

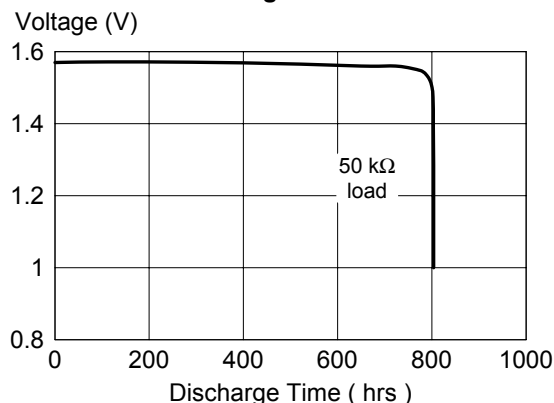
# GP Batteries

## Data Sheet

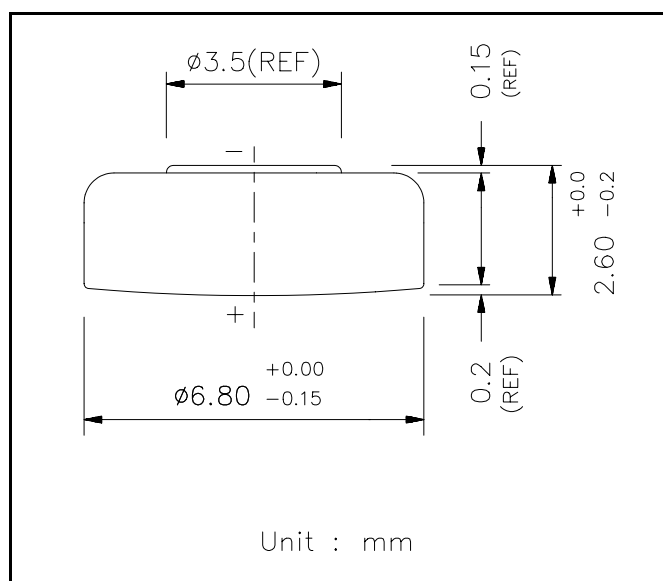
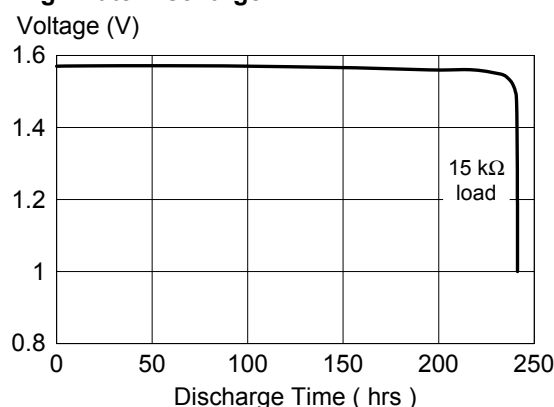
Model No.: GP377

Type	: Silver Oxide Low Drain Button Cell			
Chemical System	: Zinc / Silver Oxide			
Nominal Voltage	: 1.55V			
Nominal Dimension	: $\varnothing$ 6.8 X 2.6mm			
Applications	: Analog watch			
Average Weight	: 0.4g			
Date Code	: Unless otherwise specified, each cell will carry a numeric year code and an alphabetical month code			
Shelf Life	: Not less than 90% of service capacity for 1 year storage at 20°C			
Close Circuit Voltage	: 1.25V (min.) (load resistor 200 $\Omega$ at 20°C for 0.1 to 2 seconds)			
Nominal Service Life (to 1.2V at 20°C)	: 800 hrs (at 50k $\Omega$ load) 200 days (at 300k $\Omega$ load)			
Average Service Capacity (to 1.2V at 20°C)	: 25 mAh (at 50k $\Omega$ load)			
Cross Reference	:			
IEC	JIS	EVEREADY	VARTA	DURACELL
SR66	SR66	377	V377	D377
PANASONIC	SONY			
SP377	SR626SW			

### Normal Rate Discharge



### High Rate Discharge



\* The information (subject to change without prior notice) contained in this document is for reference only and should not be used as a basis for product guarantee or warranty. For applications other than those described here, please consult your nearest GP Sales and Marketing Office or Distributors.

